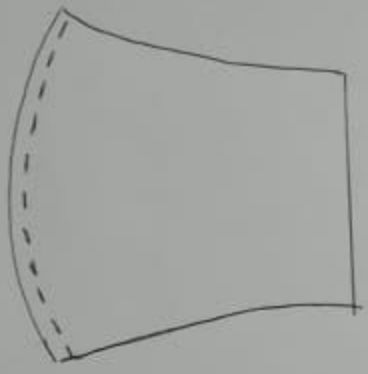


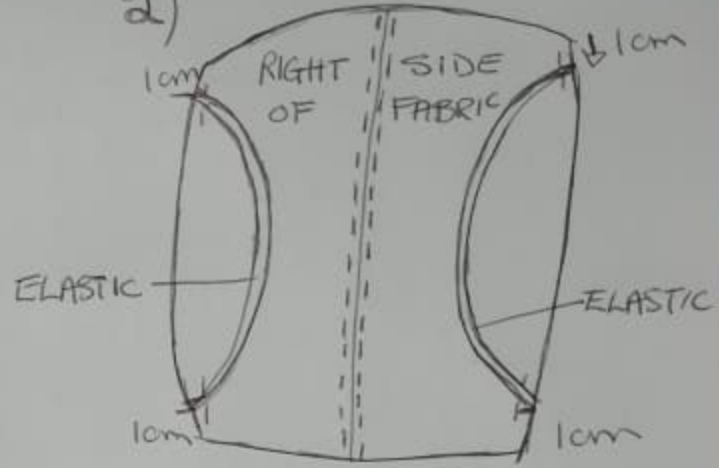
FACE MASK - SHAPED - 2

1)



SEW ALONG CURVE
RIGHT SIDES TOGETHER
X 2 (FABRIC + LINING)

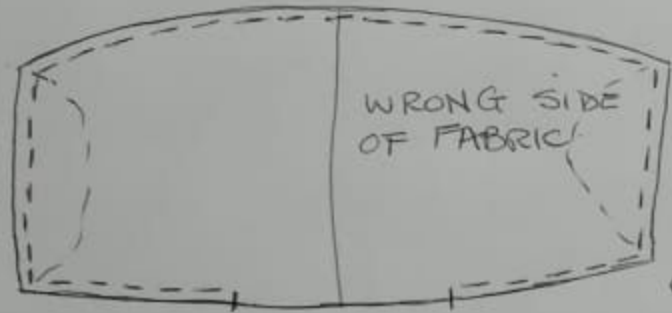
2) 14cm ELASTIC X 2



- a) CLIP CORNERS.
- b) OPEN SEAM - ON RIGHT SIDE, TOPSTITCH CLOSE TO SEAM - PIC.
- c) STITCH ELASTIC AS PIC.

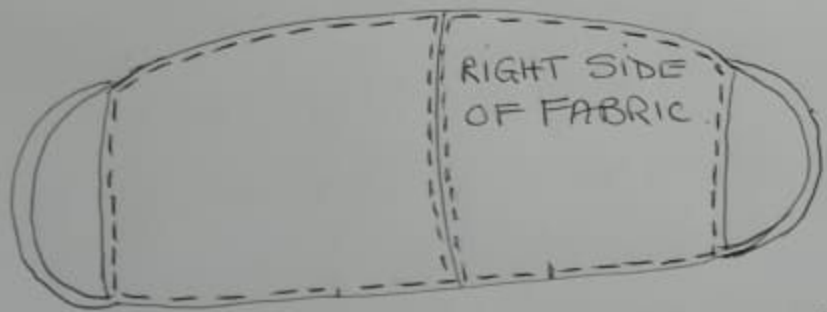
3) SEW THE LINING AND AND TOPSTITCH AS SHOWN IN 2.

4)



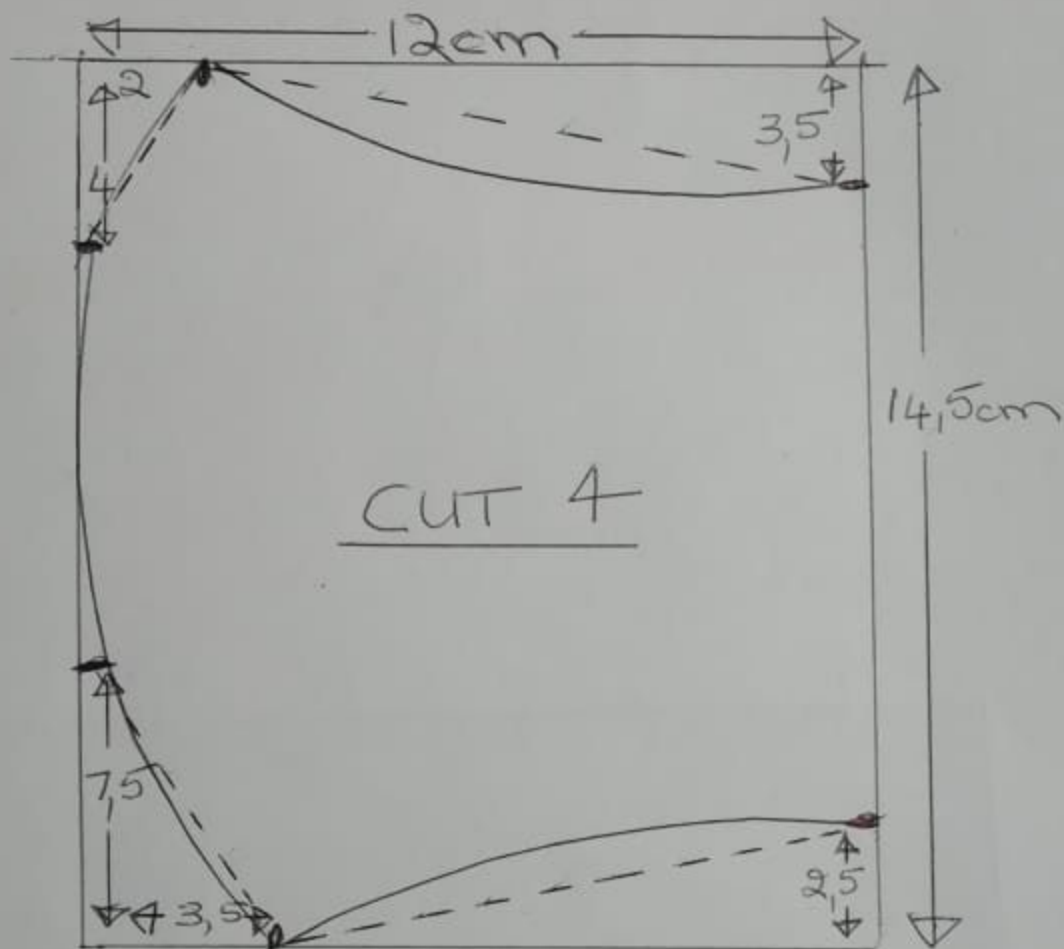
WITH RIGHT SIDES TOGETHER AND ELASTIC ON THE INSIDE, SEW PIECES TOGETHER LEAVING A 7cm GAP TO PULL THROUGH

5)



TURN MASK RIGHT SIDE OUT - SMOOTH EDGES - (OR PRESS) TUCK THE SEAMS AT THE GAP IN AND TOPSTITCH - EDGE STITCH RIGHT AROUND CLOSING THE GAP

PATTERN FOR FACE MASK - SHAPED - 1



- 1) MARK OUT A SQUARE OF 12cm X 14,5cm
- 2) PLACE MARKS AS SHOWN IN DIAGRAM AND JOIN THEM UP WITH A RULER (SEE DASH LINES)
- 3) CURVE AS SHOWN AND ADD SEAM ALLOWANCE (6MM) FRENCH RULER HELPS.
- 4) CUT 4 - 2 IN FABRIC + 2 IN LINING